



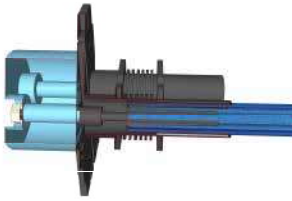
The Varioclix® is a revolutionary injection hose connector suitable for all types of injection hose set-ups and all **ankox** injection hose systems.

_ All types of installation set-ups are possible.

_ The basic idea:

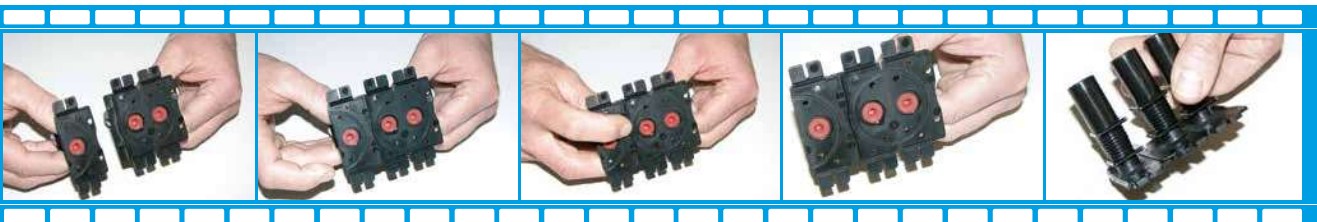
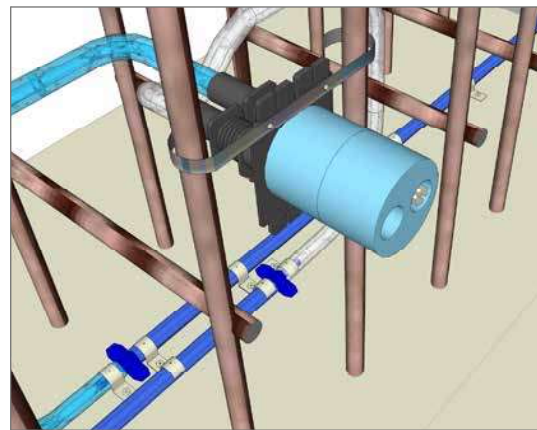
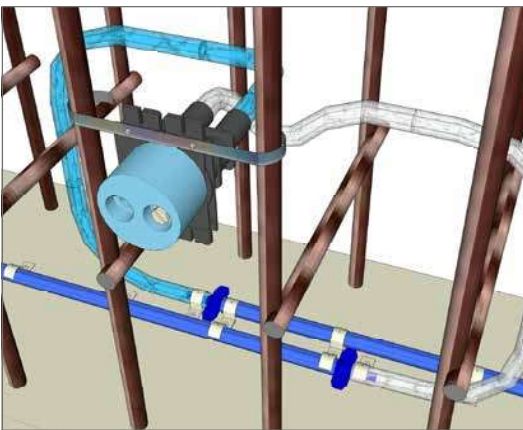
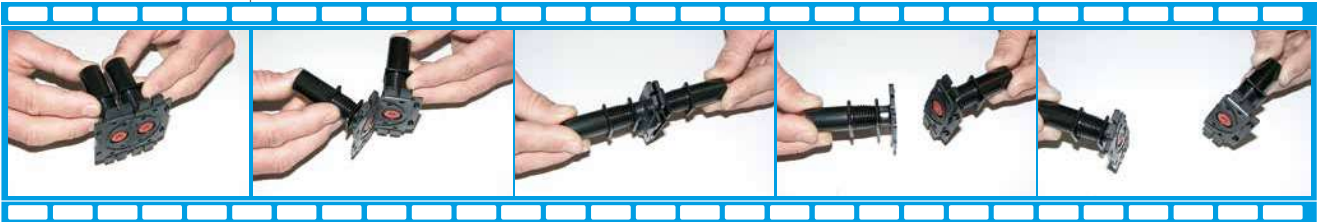
One Varioclix® can either be split to form two single packers or tw

Varioclix® can be clipped together in various ways to create different packer combinations.



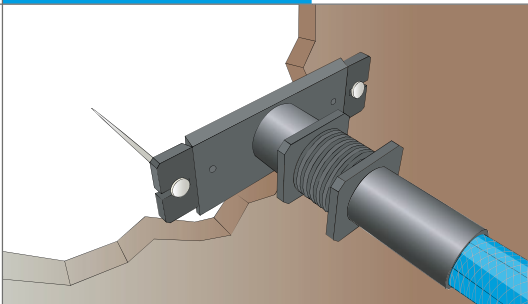
Combinations with an uneven number of packers can also be compiled in this way.

The new packer is either nailed to the formwork (without the covering cap), secured with metal strips to the reinforcing rods (the strength of the covering cap corresponding to the concrete covering) or fixed with an attachment to the base. The covering cap complies with fire regulations.

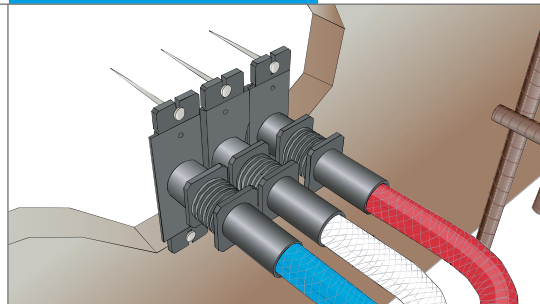




Varioclix® split



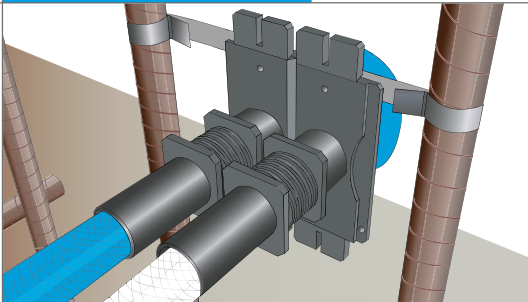
Varioclix® 3 halves



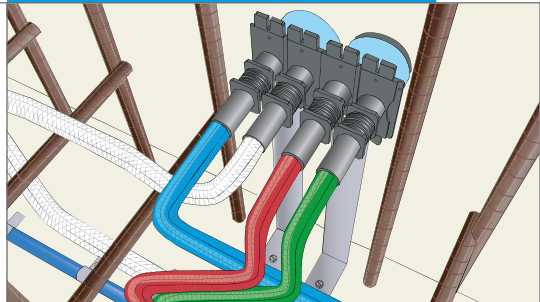
Formwork set-up

Varioclix® usage (also possible with pre-assembled injection hoses)

Varioclix® with metal strips



Varioclix® double with base attachment



Formwork set-up

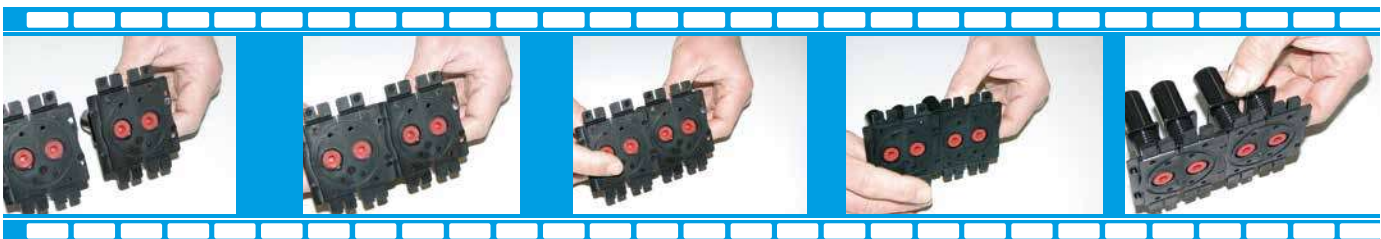
Varioclix® usage (fixed to the reinforcements or the base)

GENERAL CHARACTERISTICS

- _ Colour: **black**
Foam rubber cover available in different colours (black or grey)
- _ Dimensions: **7.4 x 5.8 x 6.0 cm**
Central breaking point for splitting.
Push fit connection.

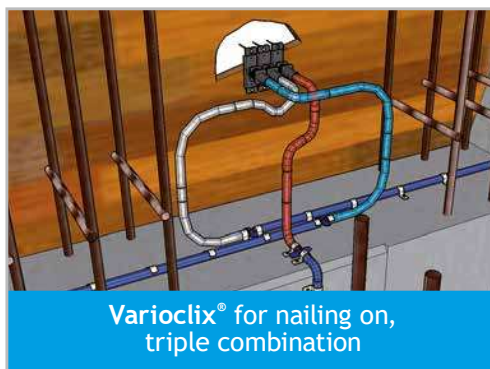
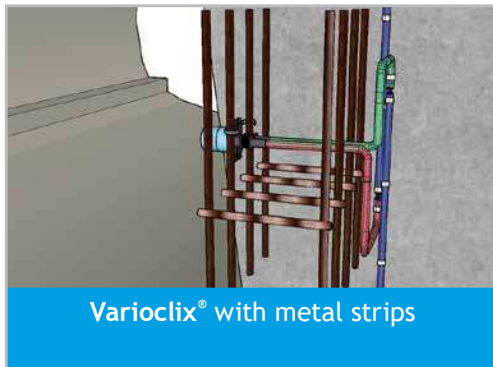
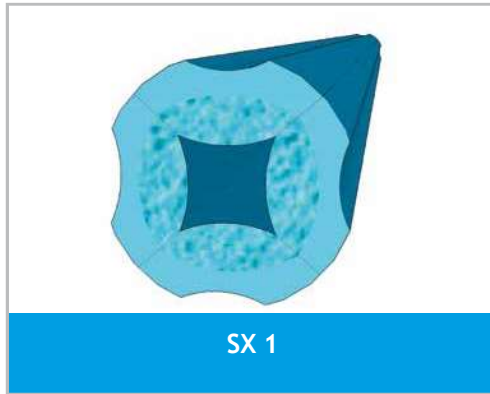
PACKAGING

- _ Carton:
Varioclix® 30 units
Varioclix® with metal strips, 30 units
Varioclix® or base attachment, 30 units

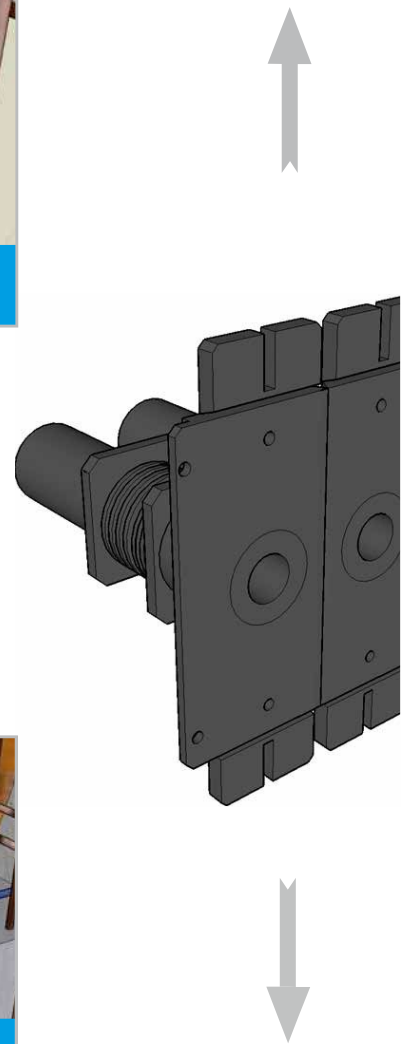




Fills



and





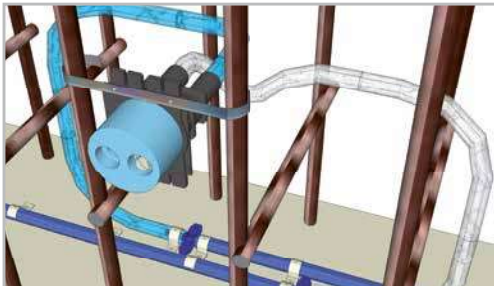
varioclix®

INJECTION HOSE ACCESSORIES

anytime



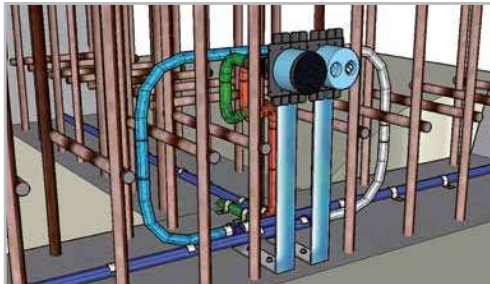
Varioclix®



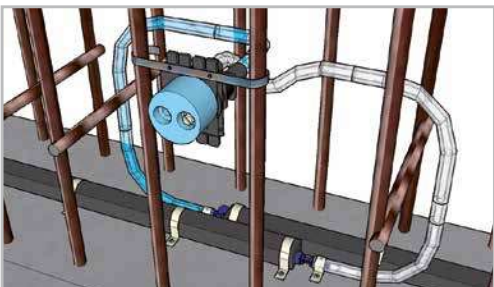
Varioclix® with metal strips



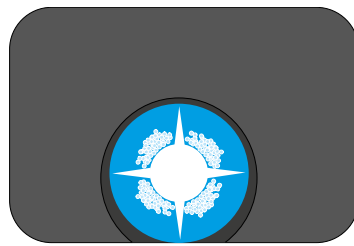
WaterproofX® 1



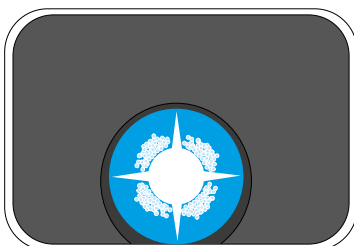
Varioclix® with base slab anchoring



Varioclix® with metal strips



Bentoproof Injekt



Bentoproof Injekt PLUS

anywhere

1

2

3

4

5

6

7

8

strips