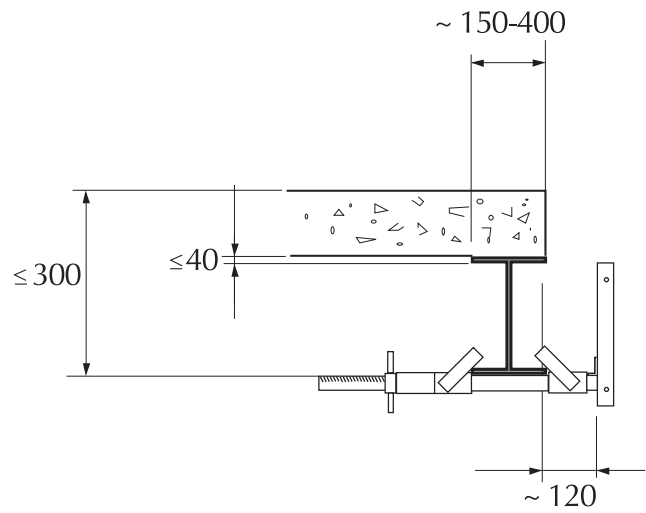
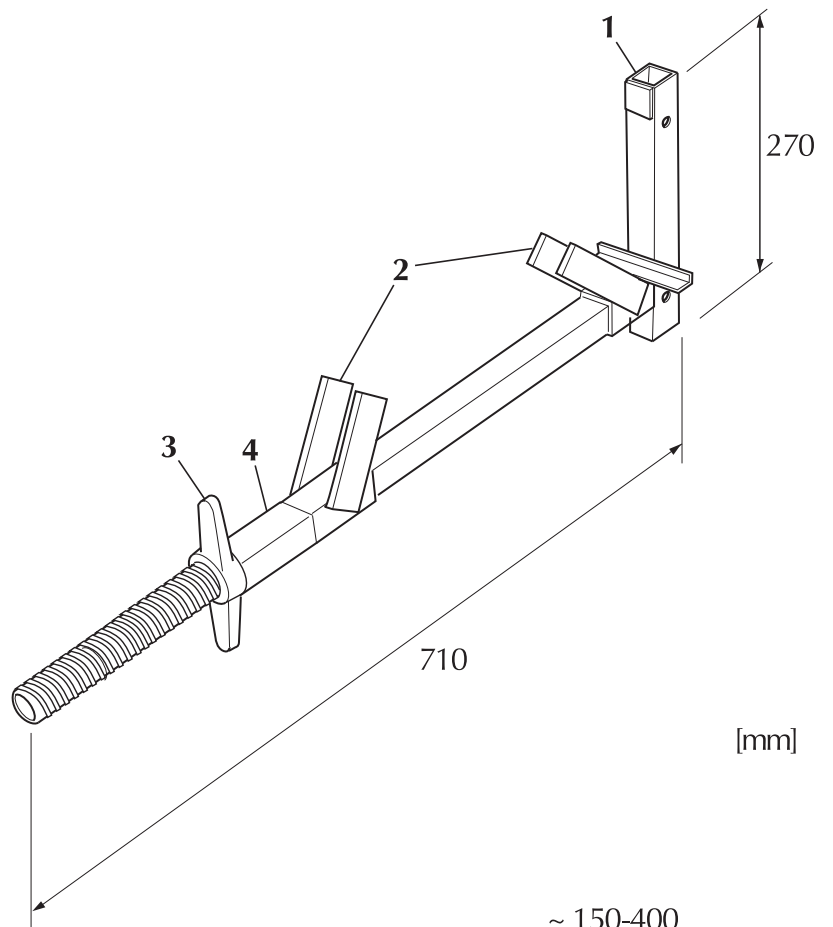


SMB SYSTEM S

6,0 kg

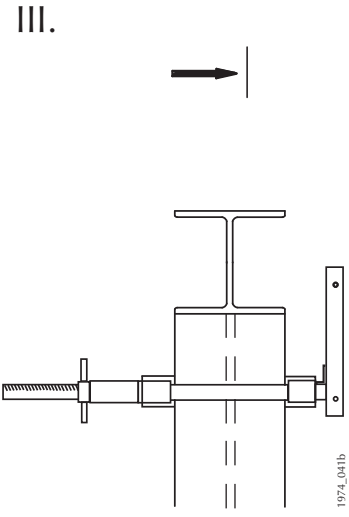
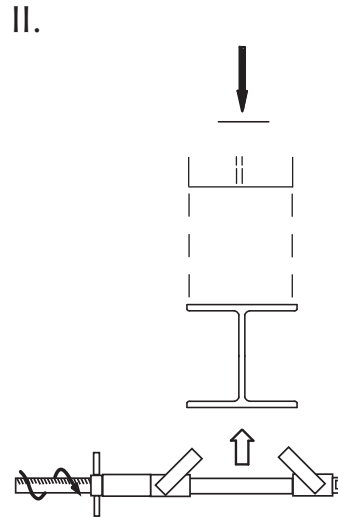
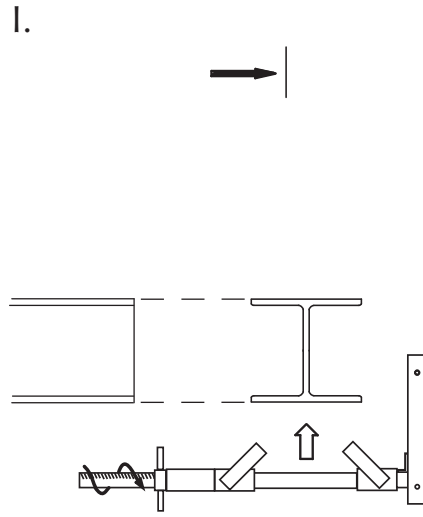
EN 13374-A

No	Art. No
1	10386
2	10293
3	10388
4	10411



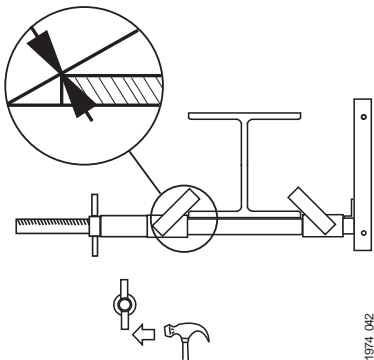
1974_D45

1.



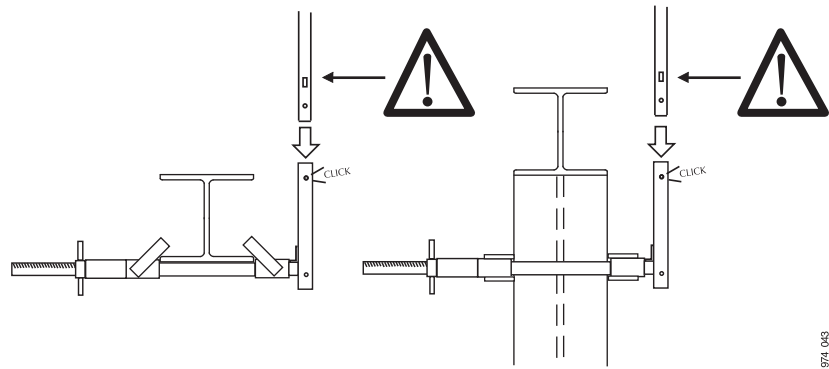
1974_041b

2.



1974_042

3.



1974_043